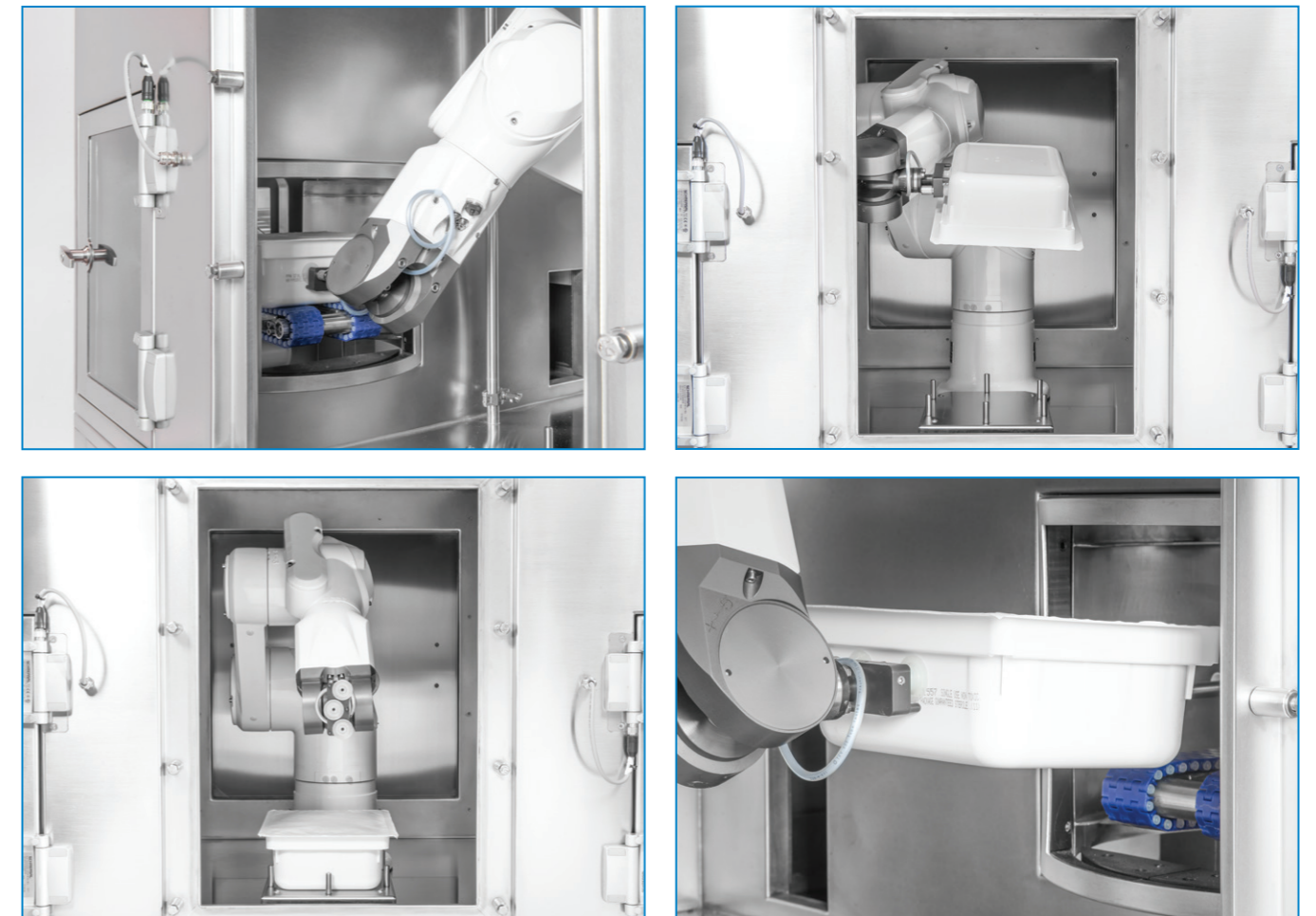




Robotic tub decontamination system RTDS2



ROBOTIC TUB DECONTAMINATION SYSTEM RTDS2



STERILINE new robotic tub decontamination system is the first machine adopting the pulsed light technology for RTU nest decontamination.

This new robotic application from STERILINE will ensure multiple advantages to pharmaceutical companies. The new robotic tub decontamination system (RTDS2) can decontaminate tubs of syringes, vials and cartridges by means of pulsed light, with a processing capacity up to 120 tubs/h in a vaporized H₂O₂ decontaminable Isolator.

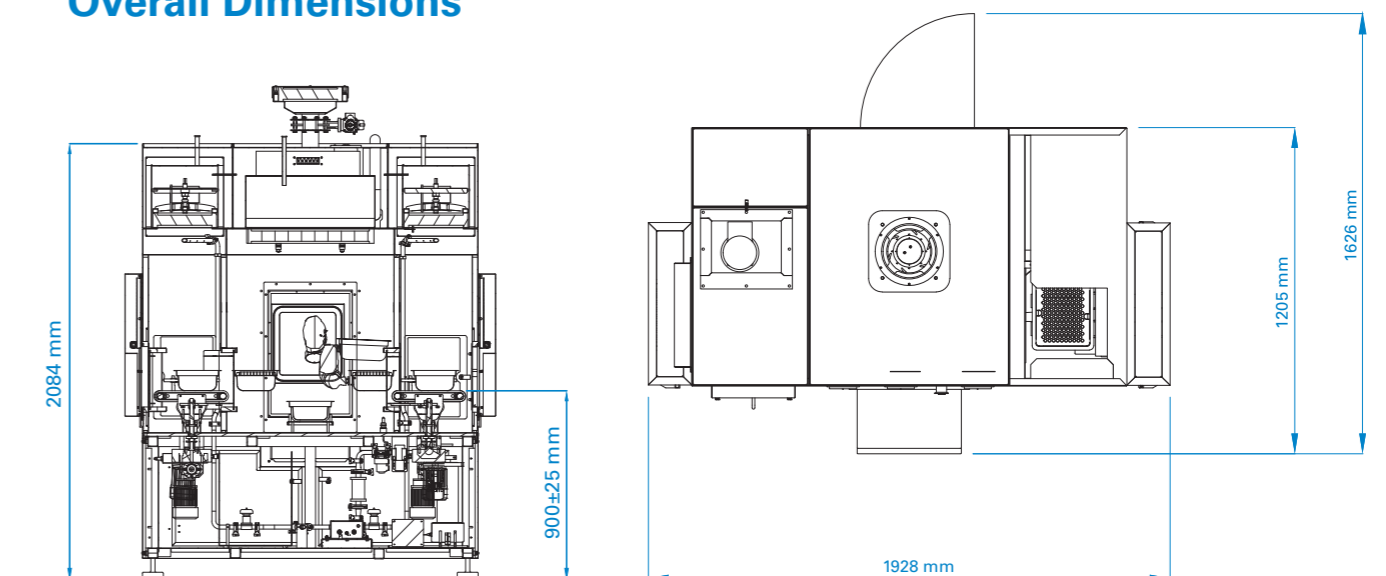
The RTDS2 can be installed then in an

ISO 8 area, reducing the running cost of the plant. Compact and lightweight, if compared with standard E-beam processing solutions, this tub decontamination system is more cost effective and easier to install.

STERILINE selected a Stäubli robotic arm due to the very well known experience with vaporized hydrogen peroxide compatible anthropomorphic robots. The robotic arm exposes all the tub surfaces to the lamp flashes. In each pulse, the lamps release 300 joules of energy in 0.3 milliseconds, meaning

a power of one megawatt, over a complete light spectrum from infrared to ultraviolet. The process achieves a 6-log reduction (10⁻⁶), with several flashes per side. Designed to work at its best in association with STERILINE's robotic nest filling machine, the tub decontamination system can also be connected to any RTU filling machine of other manufacturers. Ideal for the connection of a machine enclosed in isolators, it represents as well a perfect stand-alone solution for glass manufacturers producing RTU containers for injectable drugs.

Overall Dimensions





Steriline S.r.l.

Via Tentorio, 30
22100 Como - ITALY
T +39 031.592064
sales@steriline.it
www.steriline.it